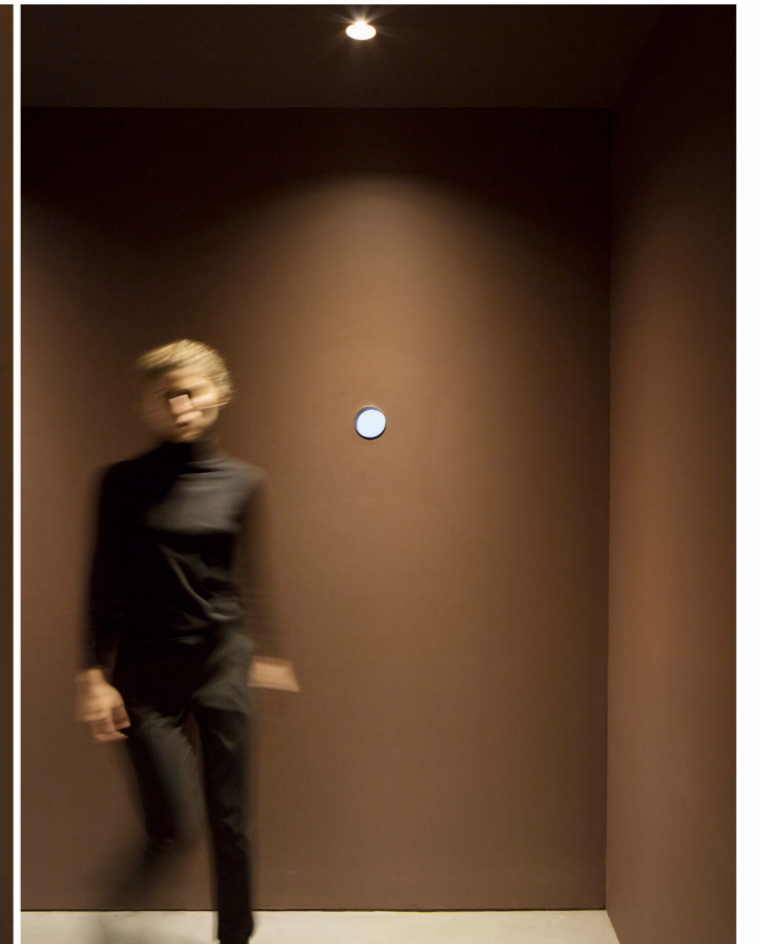


AMANI





AMANI		01178A01000
Power	5W/6W/7W	
Beam angle	18°/25°/36°/50°	
Color temperature	2700K/3000K/3500K/4000K/5000K	
Light efficiency	86lm/W	
Color rendering index	≥90	
Operating temperature	-25°C - 50°C	
Rated life hours	35,000-50,000h LM80	
LED chip	COB	



AMANI		01178B02000
Power	8W/10W	
Beam angle	16°/19°/38°	
Color temperature	2700K/3000K/3500K/4000K/5000K	
Light efficiency	63lm/W	
Color rendering index	≥90	
Operating temperature	-25°C - 50°C	
Rated life hours	35,000-50,000h LM80	
LED chip	COB	



AMANI		01178A02000
Power	8W/10W	
Beam angle	27°/30°/38°	
Color temperature	2700K/3000K/3500K/4000K/5000K	
Light efficiency	74lm/W	
Color rendering index	≥90	
Operating temperature	-25°C - 50°C	
Rated life hours	35,000-50,000h LM80	
LED chip	COB	



AMANI		01178C02000
Power	5W/10W	
Beam angle	5°/8°	
Color temperature	2700K/3000K/3500K/4000K/5000K	
Light efficiency	39lm/W	
Color rendering index	≥90	
Operating temperature	-25°C - 50°C	
Rated life hours	35,000-50,000h LM80	
LED chip	SMD	

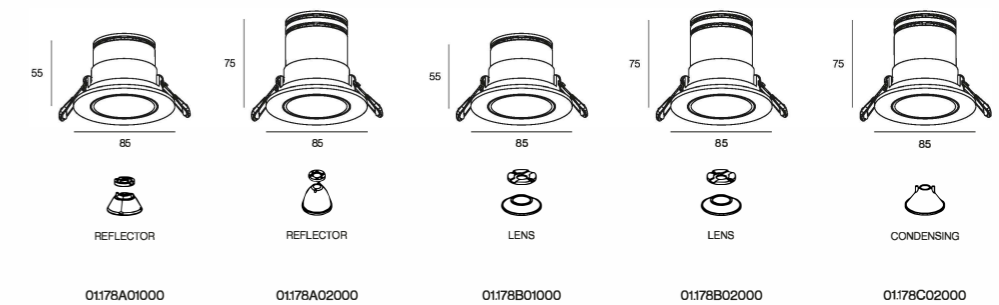


AMANI		01178B01000
Power	5W/6W/7W	
Beam angle	16°/19°/38°	
Color temperature	2700K/3000K/3500K/4000K/5000K	
Light efficiency	63lm/W	
Color rendering index	≥90	
Operating temperature	-25°C - 50°C	
Rated life hours	35,000-50,000h LM80	
LED chip	COB	



#### OPTIONS

- 1 Non-DIM
- 2 TRIAC
- 3 0/1-10V
- 4 DALI
- 5 BLE
- 6 ZIGBEE



COLOUR | WH □ | MATERIAL | AL

COLOUR | WH □ | MATERIAL | AL